

MARATHON
MARINER
Heavy Duty Generators

Dependable Power for the Harshest Applications

UL Listed

CSA Certified

**Marine Ratings
According to
Classification
Societies**



MARATHON ELECTRIC
GENERATORS
A REGAL-BELOIT COMPANY



MARATHON *MARINER* Heavy Duty Generators

With over 50 years of experience in the marine generator marketplace, Marathon understands the unique needs of marine and heavy duty applications. That knowledge and experience have been applied to the development of the new **Marathon Mariner** product line.

To insure long life and reliability that marine and other environments demand, the **Marathon Mariner** features a heavy duty rectifier assembly designed to handle extreme voltage transient surges and over-current situations (over-sized diodes and surge suppressors are included for extreme voltage transient surges). Windings have also been reinforced to handle the harshness of salt-laden, marine environments. Proven wrappings and polybutadiene overcoat used in crane duty and reefer applications have been applied to the design.

The **Marathon Mariner** is the ideal choice for heavy duty industrial applications.

Optional Features Available:

PMG / DVR®2000E This system offers excitation protection by supplying a minimum short circuit support current of 300% of the rating for 10 seconds. Highly Recommended for Marine Classification Society units.

Dripcover IP22 and IP23 available.

Space Heaters 240/120 Volt, 250 watt.



Standard Ratings:



Three Phase
12 Leads
Class H Insulation



			kVA Ratings (cosφ 0.8)							
			50 Hz (1500 RPM)				60 Hz (1800 RPM)			
Mariner Model	Net Wt. (kg)	Std. AVR	220Y Cont. 95°C R/R	220Y Cont. 110°C R/R	380Y Cont. 95°C R/R	380Y Cont. 110°C R/R	400Y Cont. 95°C R/R	400Y Cont. 110°C R/R	440Y Cont. 95°C R/R	440Y Cont. 110°C R/R
361PSL3120	234	SE350	39	40	40	44	41	45	50	53
361PSL3121	258	SE350	44	45	50	54	50	53	60	66
361PSL3122	281	SE350	45	51	60	65	56	63	73	79
362PSL3124	320	SE350	65	75	75	80	74	81	88	95
362PSL3126	361	SE350	74	81	83	94	81	94	105	115
363PSL3127	427	SE350	90	101	100	113	100	113	138	144
431PSL6252	553	SE350	121	130	140	143	135	141	170	179
431PSL6254	594	SE350	143	151	160	166	160	165	200	209
431PSL6256	641	SE350	150	161	186	200	183	193	239	250
431PSL6258	659	SE350	183	195	200	210	200	210	248	283
432PSL6260	764	SE350	191	210	235	256	240	251	309	326
432PSL6262	798	SE350	245	260	256	270	256	271	315	333
433PSL6266	1013	SE350	241	265	325	245	310	331	409	435
433PSL6270	1018	SE350	285	310	355	375	350	368	444	489

Marine Ratings According to Classification Societies:



Three Phase
12 Leads
Class H Insulation



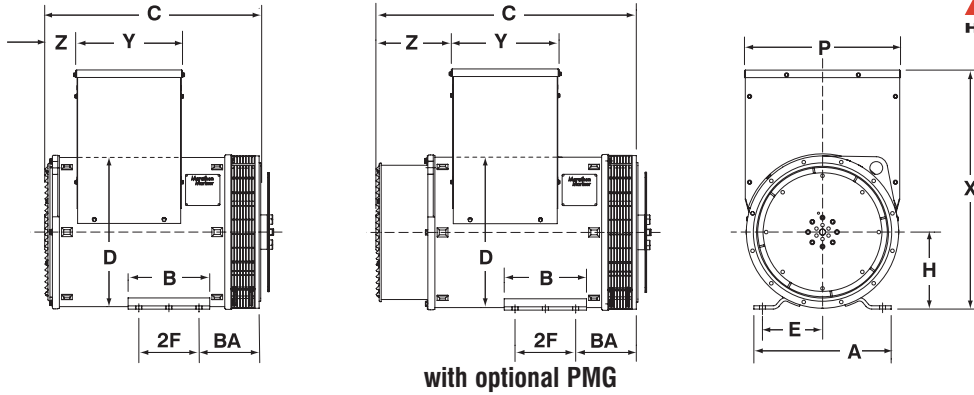
			kVA Ratings (cosφ 0.8)							
			50 Hz (1500 RPM)				60 Hz (1800 RPM)			
Mariner Model	Net Wt. (kg)	Optional AVR	220Y Cont. 95°C R/R	220Y Cont. 110°C R/R	380Y Cont. 95°C R/R	380Y Cont. 110°C R/R	400Y Cont. 95°C R/R	400Y Cont. 110°C R/R	440Y Cont. 95°C R/R	440Y Cont. 110°C R/R
361PSL3120	234	DVR*2000E	32	33	33	37	34	38	42	44
361PSL3121	258	DVR*2000E	37	38	42	45	42	44	50	55
361PSL3122	281	DVR*2000E	38	43	50	54	47	52	60	66
362PSL3124	320	DVR*2000E	54	63	63	67	62	68	73	79
362PSL3126	361	DVR*2000E	62	68	69	78	68	78	88	96
363PSL3127	427	DVR*2000E	75	84	83	94	83	94	115	120
431PSL6252	553	DVR*2000E	101	108	117	119	113	118	142	149
431PSL6254	594	DVR*2000E	119	126	133	138	133	137	167	174
431PSL6256	641	DVR*2000E	125	134	155	167	152	161	199	208
431PSL6258	659	DVR*2000E	152	162	167	175	167	175	207	236
432PSL6260	764	DVR*2000E	159	175	196	213	200	209	257	272
432PSL6262	798	DVR*2000E	204	217	213	225	213	226	262	277
433PSL6266	1013	DVR*2000E	201	221	271	204	258	276	341	362
433PSL6270	1018	DVR*2000E	237	258	296	312	292	307	370	407

All Marathon Mariner generators, when equipped with an appropriate voltage regulator and excitation support system, drip cover, and space heaters are designed and constructed to be in compliance with most Marine Classification Societies such as American Bureau of Shipping (ABS) Lloyd's Register of Shipping, NKK, DNV, etc., but are not formally certified. The actual Certification of Compliance is handled on an individual basis by the classification society involved.

Dimensions in inches and (millimeters)



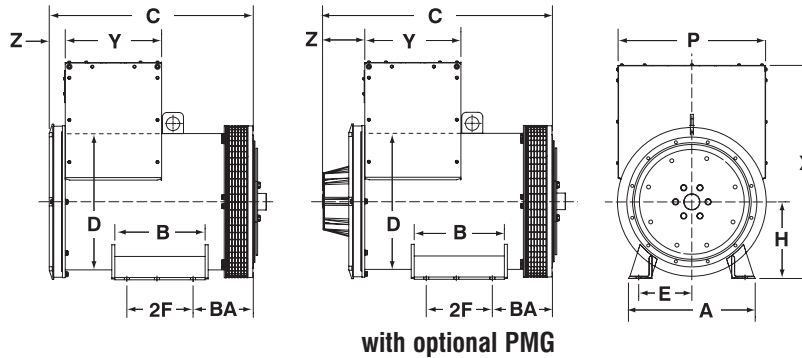
**361
362
363**
Frame



FRAME SIZE	A	B	BA	C	D	E	2F	H	P	X	Y	Z
361	16.00 (406)	9.50 (241)	7.00 (178)	25.12 (638)	17.35 (441)	7.00 (178)	7.00 (178)	9.00 (229)	18.19 (462)	27.85 (707)	12.44 (316)	3.77 (96)
361 PMG	16.00 (406)	9.50 (241)	7.00 (178)	30.06 (764)	17.35 (441)	7.00 (178)	7.00 (178)	9.00 (229)	18.19 (462)	27.85 (707)	12.44 (316)	8.70 (221)
362	16.00 (406)	9.50 (241)	7.00 (178)	28.75 (730)	17.35 (441)	7.00 (178)	7.00 (178)	9.00 (229)	18.19 (462)	27.85 (707)	12.44 (316)	3.77 (96)
362 PMG	16.00 (406)	9.50 (241)	7.00 (178)	33.68 (855)	17.35 (441)	7.00 (178)	7.00 (178)	9.00 (229)	18.19 (462)	27.85 (707)	12.44 (316)	8.70 (221)
363	16.00 (406)	9.50 (241)	10.50 (267)	31.88 (810)	17.35 (441)	7.00 (178)	7.00 (178)	9.00 (229)	18.19 (462)	27.85 (707)	12.44 (316)	3.77 (96)
363 PMG	16.00 (406)	9.50 (241)	10.50 (267)	36.80 (935)	17.35 (441)	7.00 (178)	7.00 (178)	9.00 (229)	18.19 (462)	27.85 (707)	12.44 (316)	8.70 (221)

Please Note: Connection boxes shown are furnished as standard product. Consult factory for optional connection boxes.

**431
432
433**
Frame



FRAME SIZE	A	B	BA	C	D	E	2F	H	P	X	Y	Z
431	21.46 (545)	15.00 (381)	10.00 (254)	33.89 (861)	22.64 (575)	9.00 (229)	11.00 (279)	13.00 (330)	24.44 (621)	36.10 (917)	16.00 (406)	2.66 (68)
431 PMG	21.46 (545)	15.00 (381)	10.00 (254)	38.27 (972)	22.64 (575)	9.00 (229)	11.00 (279)	13.00 (330)	24.44 (621)	36.10 (917)	16.00 (406)	7.04 (179)
432	21.46 (545)	15.00 (381)	10.00 (254)	37.39 (950)	22.64 (575)	9.00 (229)	11.00 (279)	13.00 (330)	24.44 (621)	36.10 (917)	16.00 (406)	2.66 (68)
432 PMG	21.46 (545)	15.00 (381)	10.00 (254)	41.77 (1061)	22.64 (575)	9.00 (229)	11.00 (279)	13.00 (330)	24.44 (621)	36.10 (917)	16.00 (406)	7.04 (179)
433	21.46 (545)	15.00 (381)	10.00 (254)	42.39 (1077)	22.64 (575)	9.00 (229)	11.00 (279)	13.00 (330)	24.44 (621)	36.10 (917)	16.00 (406)	2.66 (68)
433 PMG	21.46 (545)	15.00 (381)	10.00 (254)	46.77 (1188)	22.64 (575)	9.00 (229)	11.00 (279)	13.00 (330)	24.44 (621)	36.10 (917)	16.00 (406)	7.04 (179)

Please Note: Connection boxes shown are furnished as standard product. Consult factory for optional connection boxes.



**Your Independent Power Source
for the 21st Century!**

P.O. Box 8003
Wausau, WI 54402-8003 USA

www.marathonelectric.com

Phone: 715-675-3359
Fax: 715-675-8026

GPN034 5201J/1000/10-05/SG/Roto